

WEATHERCHEM CORPORATION

Innovative Packaging Solutions

2222 Highland Road P.O. Box 1150 Twinsburg, Ohio 44087-1150

Phone No. (330) 425-4206 Fax No. (330) 425-4586

70 mm 400 Finish FLAPPER[®]
OUTSIDE HOOK

MATERIAL: POLYPROPYLENE

BOTTLE FINISH: 70-SP400
FITS MOST C.M.A. BOTTLE
FINISHES

TORQUE RECOMMENDATION:
28-50 IN. LBS. THIS
REQUIREMENT MAY VARY
DEPENDING UPON BOTTLE
MATERIAL, NECK FINISH, AND
CAPPING EQUIPMENT

IMPORTANT: WEATHERCHEM
FLAPPER[®] CLOSURES
GENERALLY FOLLOW
DIMENSIONS WHICH ARE
COMPATIBLE WITH COMMONLY
USED C.M.A. SPECIFICATIONS.
S.P.I. OR G.B.I. STANDARD BOTTLE
FINISHES MAY OR MAY NOT
WORK WITH THE FLAPPER. [®]

THE CLOSURE DIMENSIONS
SHOWN ARE THOSE WHICH HAVE
GENERALLY BEEN FOUND TO BE
FUNCTIONAL BASED ON
INDUSTRY EXPERIENCE.
BECAUSE OF VARIABILITY IN
GLASS AND PLASTIC CONTAINER
FINISHES, EACH CLOSURE/FINISH
SYSTEM SHOULD BE
INDIVIDUALLY EVALUATED AND
TESTED TO ENSURE IT MEETS
APPLICABLE PERFORMANCE
CRITERIA. SEE QUALITY
ASSURANCE SPECIFICATIONS
FOR ADDITIONAL INFORMATION.

WEATHERCHEM RESERVES THE
RIGHT TO REVISE ANY OR ALL
SPECIFICATIONS AND
REQUIREMENTS.

SHT. 1 OF 1
DATE: 8-JUL-08
DRAWN BY: SAW

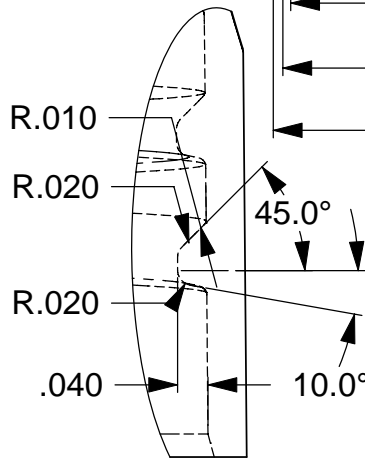
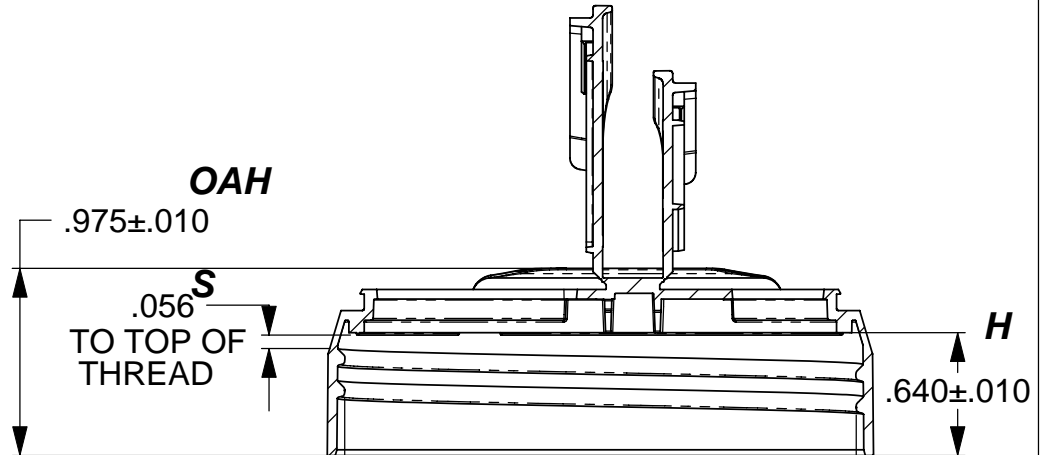
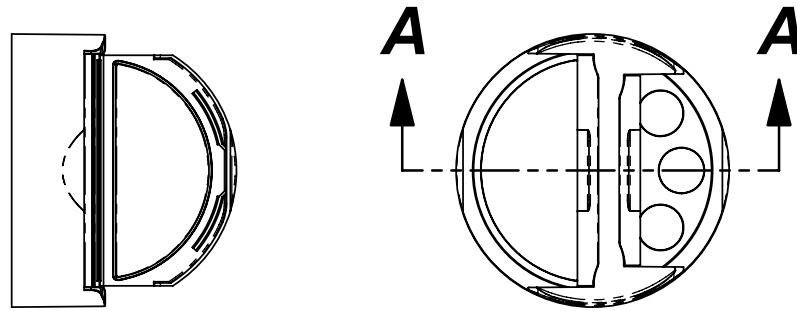
AUTHORIZED FOR USE BY:

Stephen Walunis

DATE:

July 8, 2008

70mm-400 GC
(Special "H")



THREAD DETAIL

1.5 FULL RH THREADS, 6 TPI

This drawing is protected by copyright and contains information proprietary to WEATHERCHEM CORPORATION. Any reproduction, disclosure, or use of its contents or any part thereof is expressly prohibited except as WEATHERCHEM CORPORATION otherwise may agree in writing.

(S) - 13020 - AD