



weatherchem

WEATHERCHEM CORPORATION

Innovative Packaging Solutions

2222 Highland Road P.O. Box 1150 Twinsburg, Ohio 44087-1150
Phone No. (330) 425-4206 Fax No. (330) 425-4586

53mm-400 NutraGen II™

MATERIAL: POLYPROPYLENE

BOTTLE FINISH: 400
FITS MOST C.M.A. BOTTLE
FINISHES

TORQUE RECOMMENDATION:
21-36 IN-LBS. THIS REQUIREMENT
MAY VARY DEPENDING UPON
BOTTLE MATERIAL, NECK FINISH,
AND CAPPING EQUIPMENT.

IMPORTANT: WEATHERCHEM
NutraGen II™ CLOSURES
GENERALLY FOLLOW
DIMENSIONS WHICH ARE
COMPATIBLE WITH COMMONLY
USED C.M.A. SPECIFICATIONS.
S.P.I. OR G.B.I. STANDARD
BOTTLE FINISHES MAY OR MAY
NOT WORK WITH THE NutraGen II™.

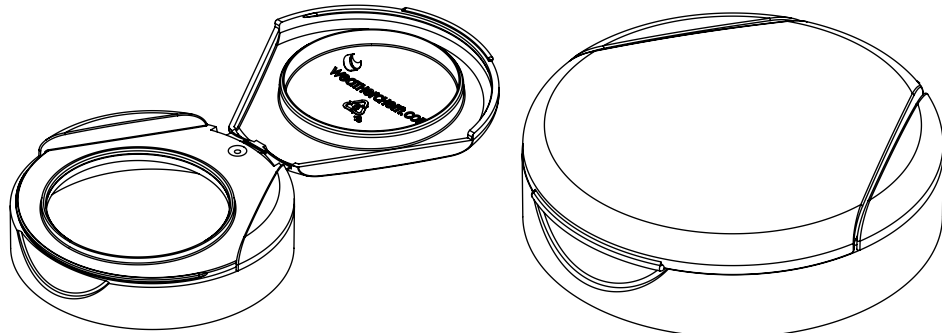
LOGO INSERT
TYPICAL LOGO DEPTH/HEIGHT IS
.008". EACH LOGO GRAPHIC
SHOULD BE EVALUATED ON A
CASE BY CASE BASIS.

THE CLOSURE DIMENSIONS
SHOWN ARE THOSE WHICH
HAVE GENERALLY BEEN FOUND
TO BE FUNCTIONAL BASED ON
INDUSTRY EXPERIENCE
BECAUSE OF VARIABILITY IN
GLASS AND PLASTIC CONTAINER
FINISHES, EACH
CLOSURE/FINISH SYSTEM
SHOULD BE INDIVIDUALLY
EVALUATED AND TESTED TO
ENSURE IT MEETS APPLICABLE
PERFORMANCE CRITERIA. SEE
QUALITY ASSURANCE
SPECIFICATIONS FOR
ADDITIONAL INFORMATION.

WEATHERCHEM RESERVES THE
RIGHT TO REVISE ANY OR ALL
SPECIFICATIONS AND
REQUIREMENTS.

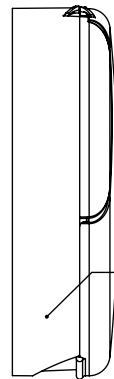
SHT. 1 OF 1
DATE: 30-July-2009
DRAWN BY: BMD

AUTHORIZED FOR USE BY:
Barry Daggett

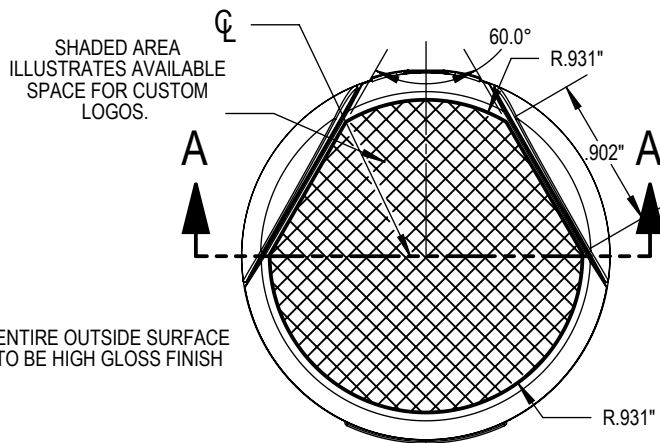


FLAP IN FULL OPEN

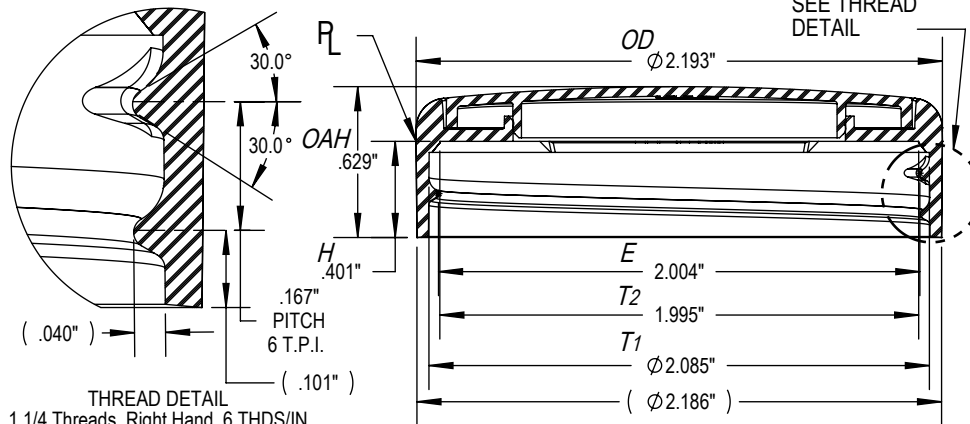
FLAP FULLY CLOSED



ENTIRE OUTSIDE SURFACE
TO BE HIGH GLOSS FINISH



SHADED AREA
ILLUSTRATES AVAILABLE
SPACE FOR CUSTOM
LOGOS.



SEE THREAD
DETAIL

SECTION AA

1 1/4 Threads, Right Hand, 6 THDS/IN

THEORETICAL PART WEIGHT IS 6.85 GRAMS
OPENING FORCE TO BE 2.0LBS +1.5 / - 0.50LBS

This drawing is protected by copyright and contains information proprietary to WEATHERCHEM CORPORATION. Any reproduction, disclosure, or use of its contents or any part thereof is expressly prohibited except as WEATHERCHEM CORPORATION otherwise may agree in writing.

53mm-400
NutraGen II™

S-211-00-07-AA